

DiST

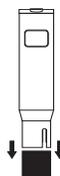
HI98300/1/2/3/4 Conductivity/TDS Meters with Automatic Temperature Compensation



HANNA
instruments
Manufacturers since 1978

OPERATION:

- Remove the protective cap.
- Turn the **DiST** on.
- Immerse it in the solution to be tested without exceeding the maximum immersion level.



- Stir gently and wait for the reading to stabilize.
DiST automatically compensates for temperature variations.

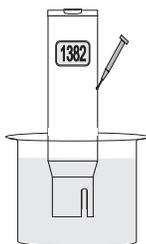


- The reading on display is directly expressed in:
ppm (mg/L) unit for **DiST1** (HI98300 & HI98301),
ppt (g/L) unit for **DiST2** (HI98302),
 $\mu\text{S}/\text{cm}$ for **DiST3** (HI98303) and
 mS/cm for **DiST4** (HI98304).

CALIBRATION:

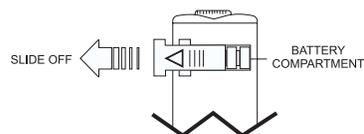
- Immerse the **DiST** in the indicated calibration solution (see Specifications), without exceeding the maximum immersion level.
- Allow the reading to stabilize and with a small screwdriver turn the calibration trimmer until the display shows the required solution value.

E.g. for calibrating **HI98301** the correct calibration solution is **HI70032**, and the trimmer should be turned until the display shows "1382".



BEPS AND BATTERY REPLACEMENT:

DiST is supplied with BEPS (Battery Error Preventing System) which avoids any erroneous reading due to low batteries level, by switching the meter off. To replace the batteries, slide off the battery compartment cover and replace all four 1.5V batteries while paying attention to their polarity.



Batteries should only be replaced in a nonhazardous area using the battery type specified in this instruction sheet.

ACCESSORIES:

HI 70030P	12880 $\mu\text{S}/\text{cm}$ calibration kit (25 x 20 mL sachets)
HI 70031P	1413 $\mu\text{S}/\text{cm}$ calibration kit (25 x 20 mL sachets)
HI 70032P	1382 ppm (mg/L) calibration kit (25 x 20 mL sachets)
HI 70038P	6.44 ppt (g/L) calibration kit (25 x 20 mL sachets)
HI 70039P	5000 $\mu\text{S}/\text{cm}$ calibration kit (25 x 20 mL sachets)
HI 70442P	1500 ppm calibration kit (25 x 20 mL sachets)
HI 73301	Spare electrode for DiST1
HI 73302	Spare electrode for DiST2
HI 73303	Spare electrode for DiST3
HI 73304	Spare electrode for DiST4
HI 731326	Calibration screwdriver (20 pcs)

Visit our Internet Home Page:
<http://www.hannainst.com>

SPECIFICATIONS:

RANGE / RESOLUTION

DiST1 (HI98300 & HI98301)	0 to 1999 ppm/1ppm
DiST2 (HI98302)	0.00 to 10.00 ppt / 0.01ppt
DiST3 (HI98303)	0 to 1999 $\mu\text{S}/\text{cm}$ / 1 $\mu\text{S}/\text{cm}$
DiST4 (HI98304)	0.00 to 19.99 mS/cm / 0.01 mS/cm

ACCURACY (@20°C/68°F) $\pm 2\%$ f.s.

TYPICAL EMC DEVIATION $\pm 1\%$ f.s.

TDS FACTOR

HI98300	0.65
HI98301 & HI98302	0.5

CALIBRATION SOLUTIONS

HI98300	HI70442 (1500 ppm)
HI98301	HI70032 (1382 ppm)
HI98302	HI70038 (6.44 ppt)
HI98303	HI70031 (1413 $\mu\text{S}/\text{cm}$)
HI98304	HI70039 (5.00 mS/cm)-HI70030 (12.88 mS/cm)

TEMP. COMPENSATION 0 to 50°C (32 to 122°F)

ENVIRONMENT 0 to 50°C (32 to 122°F);
95% RH not condensing

BATTERY TYPE 4 x 1.5V alkaline (included)

BATTERY LIFE approx. 200 hours
of continuous use

DIMENSIONS 175 x 41 x 23 mm
(7.9 x 1.8 x 1")

WEIGHT 78 g (2.7 oz.)

ONE YEAR WARRANTY AND SERVICEABLE:

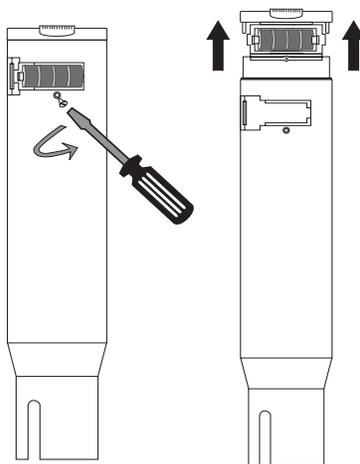
Covered by **one year** warranty against defects in workmanship and materials, these testers are now completely serviceable. Contact your dealer for further information.

The **DiST** is in compliance with the CE directives.

ELECTRODE REPLACEMENT:

The electrode is built-in inside the plastic casing and can be easily replaced in the following way:

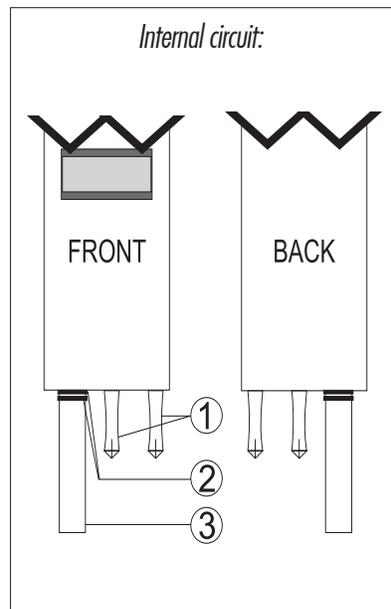
- Slide off the battery cover.
- Remove the screw on the back of the **DiST** located below the battery compartment and slide off the whole internal part of the tester.



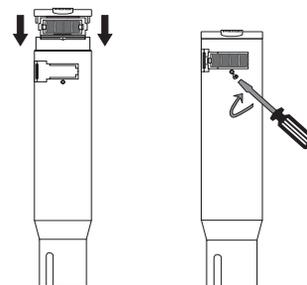
- Replace the built-in electrode with a new:
HI73301 for **DiST1**
HI73302 for **DiST2**
HI73303 for **DiST3**
HI73304 for **DiST4**

- Before reinserting the internal circuit into the new plastic casing, make sure the O-rings (2) of the temperature sensor (3) are properly seated (see drawing).

To avoid bending the connections to the conductivity sensors (1), do not apply excessive force while inserting the circuit. In case of any problem, reslide and reinsert it.



- Fasten the screw on the back, below the battery compartment.



- Reinsert the battery compartment cover.

- Recalibrate the **DiST** before performing new measurements.

HANNA
instruments